

Fully Welded Ball Valves

PN25/400PSI/Class250

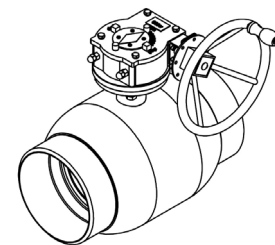
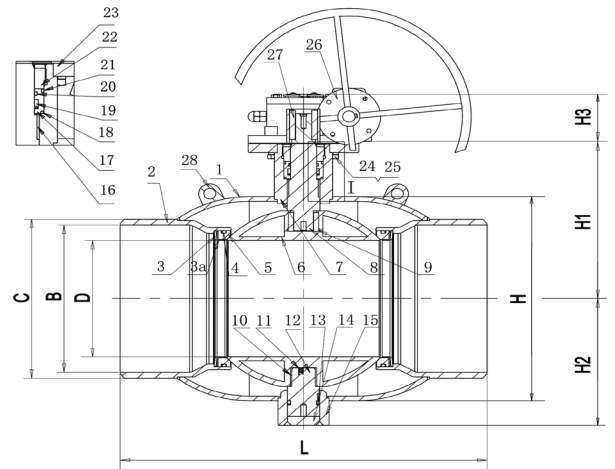
Reduced Bore, Worm Gear, Fixed Ball
Design to EN488

Pressure Test to EN12266.1



WB3622-G
SXS

Materials List		
1	Body	A106-B, EN10217-2
2	Welded Pipe	A106-B, EN10217-2
3	Spring	AISI 304, EN10088-3
3a	Fireproof Gasket	AISI 304
4	O-Ring	Viton
5	Seat Ring	PTFE 25%C
6	Ball	AISI 304, EN10088-3
7	Stem Guide	A106-B, EN10217-2
8	Stem	ASTM A420, EN10088-3
9	Lock Key	AISI 1045
10	Bearing	AISI 304 PTFE
11	Anti-Static Device	AISI 304
12	Fixing Bushing	ASTM A105
13	O-Ring	Viton
14	Closure	ASTM A53-F
15	Bottom Bushing	A106-B, EN10217-2
16	Bearing	AISI 304 PTFE
17	Gland Cover	A106-B, EN10217-2
18	Sealing Ring	AViton
22	Gland	A106-B, EN10217-2
23	ISO Flange	ASTM A105
24	Bolt	ASTM A193-B7
25	Spring Washer	ASTM 1566
26	Gearbox	ASTM A536
27	Lock Key	AISI 1045
28	Lifting Lug	ASTM A53-F



* Operating temperature range: -30°C ~ +200°C .
* For other materials and special requirements, please consult the factory or the local offices.

Dimensions/Weights											
In	D	B	C	H	L	H1	H2	H3	Kvs	Lbs	Kg
6	125	147	159	219	457	182	150	81	1120	75	34
8	150	199	219	273	521	226	174	81	1620	119	54
10	200	253	273	351	560	267	230	81	3300	194	88
12	250	250	325	426	635	307	277	90	4600	364	165

* Please consult the engineers for full-bore dimensions.

Fully Welded Ball Valves

PN25/400PSI/Class250

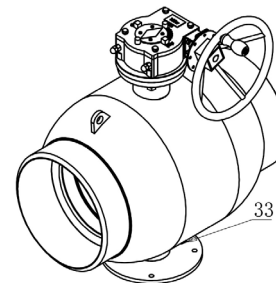
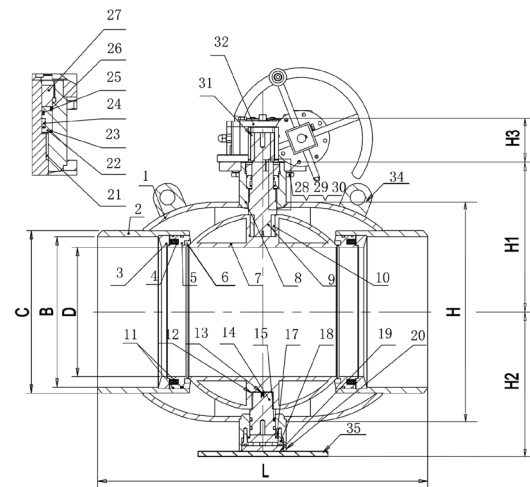
Reduced Bore, Worm Gear, Fixed Ball
Design to EN488

Pressure Test to EN12266.1



WB3622-G
SXS

Materials List		
1	Body	A106-B, EN10217-2
2	Welded Pipe	A106-B, EN10217-2
3	Baffle	ASTM A105
4	Spring	AISI 304, EN10088-3
5	Seat Ring	PTFE 25%C
6	Pressure Ring	ASTM A105
7	Ball	AISI 304, EN10088-3
8	Stem Guide	A106-B, EN10217-2
9	Stem	ASTM A420, EN10088-3
10	Lock Key	AISI 1045
11	O-Ring	Viton
12	Bearing	AISI 304 PTFE
13	Anti-Static Device	AISI 304
14	Fixing Bushing	ASTM A105
15	O-Ring	Viton
18	Screw	ASTM A193-B7
19	Closure	ASTM A53-F
20	Bottom Bushing	A106-B, EN10217-2
21	Bearing	AISI 304 PTFE
22	Gland Cover	A106-B, EN10217-2
23	O-Ring	Viton
27	Gland	A106-B, EN10217-2
28	ISO Flange	ASTM A105
29	Spring Washer	ASTM 1566
30	Bolt	ASTM A193-B7
31	Lock Key	AISI 1045
32	Gearbox	ASTM A536
33	Exhaust Valve	AISI 1025
34	Lifting Lug	ASTM A53-F
35	Seat	ASTM A53-F



* Operating temperature range: -30°C ~ +200°C .
* For other materials and special requirements, please consult the factory or the local offices.

Dimensions/Weights											
In	D	B	C	H	L	H1	H2	H3	Kvs	Lbs	Kg
14	300	349	377	508	762	347	335	96	8300	628	285
16	335	398	426	560	838	384	376	107	12500	915	415
18	385	448	480	640	914	425	425	107	15300	1493	677
20	438	490	530	735	991	480	497	107	18000	1528	693

* Please consult the engineers for full-bore dimensions.

Fully Welded Ball Valves

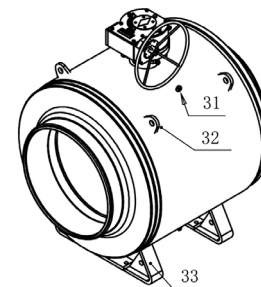
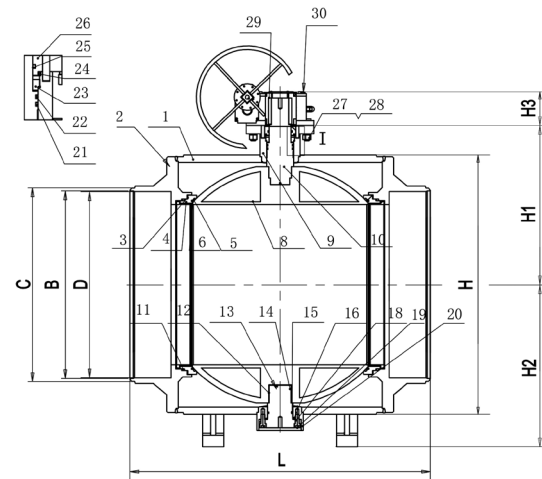
PN25/400PSI/Class250

Reduced Bore, Worm Gear, Fixed Ball
Design to EN488
Pressure Test to EN12266.1



WB3622-G
SXS

Materials list		
1	Body	A106-B, EN10217-2
2	Welded Pipe	A106-B, EN10217-2
3	Spring	AISI 304, EN10088-3
4	Baffle	ASTM A105
5	Seat Ring	Viton
6	Pressure Ring	PTFE
8	Ball	AISI 304, EN10088-3
9	Stem Guide	A106-B, EN10217-2
10	Stem	ASTM A420, EN10088-3
11	O-Ring	Viton
12	Bearing	AISI 304 PTFE
13	Anti-Static Device	AISI 304
14	Fixing Bushing	ASTM A105
15	O-Ring	Viton
18	Screw	ASTM A193-B7
19	Closure	ASTM A53-F
20	Bottom Bushing	A106-B, EN10217-2
21	O-Ring	Viton
23	Gland	A106-B, EN10217-2
24	O-Ring	Viton
26	ISO Flange	ASTM A105
27	Spring Washer	ASTM 1566
28	Bolt	ASTM A193-B7
29	Lock Key	AISI 1045
30	Gearbox	ASTM A536
31	Exhaust Valve	AISI 1025
32	Lifting Lug	ASTM A53-F
33	Seat	ASTM A53-F



* Operating temperature range: -30°C ~ +200°C .
* For other materials and special requirements, please consult the factory or the local offices.

Dimensions/Weights											
In	D	B	C	H	L	H1	H2	H3	Kvs	Lbs	Kg
24	590	612	630	805	1143	546	540	125	29000	2304	1045
28	685	698	720	965	1346	625	635	146	35000	4406	1998
32	780	796	820	1120	1524	702	710	157	52000	6342	2876
36	874	894	920	1280	1727	790	810	157	58000	9232	4187
40	976	992	1020	1410	1840	865	885	187	75000	12172	5520
48	1166	1188	1220	1570	2100	965	980	187	108000	16615	7535

* Please consult the engineers for full-bore dimensions.